

UK Installation instructions

FI Asennusohje

LV Instalācijas instrukcija

DE Montageanleitung

FR Notice de montage

NO Monteringsanvisning

CZ Montážní návod

HU Szerelési útmutató

PL Instrukcja montażu

DK Monteringsvejledning

IT Istruzioni di montaggio

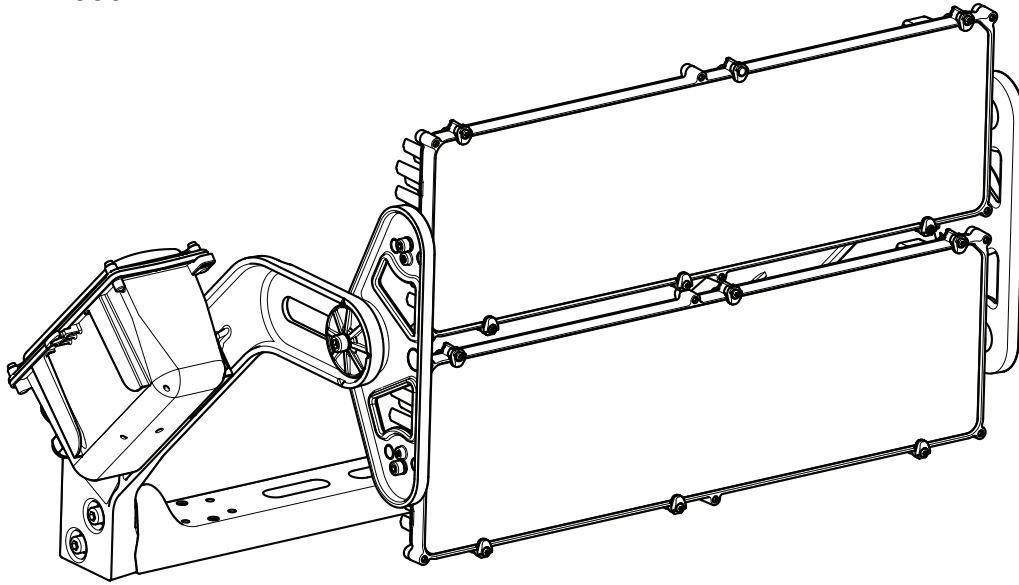
SE Installationsanvisning

EE Paigaldusjuhend


LT Montavimo Instrukcijos


RU ИНСТРУКЦИЯ ПО МОНТАЖУ


TYPE : ALG5 - 288L
- 336L



IP66 / IK08

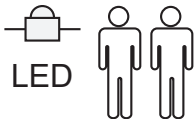
 = 23.7 kg

 The luminaire with clear optic should be positioned so that prolonged staring into the luminaire at a distance <2m is not expected

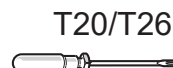
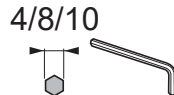
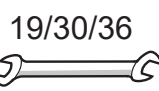
 Caution, risk of electric shock
Danger, risque de chocs électriques

Extreme caution : Do not connect any LED CONNECTION wire (high voltage) inside NTC connector !! It could result in a critical failure and damage irreversibly the ALTIS luminaire

The light source contained in this luminaire shall only be replaced by the manufacturer or his service agent or a similar qualified person.

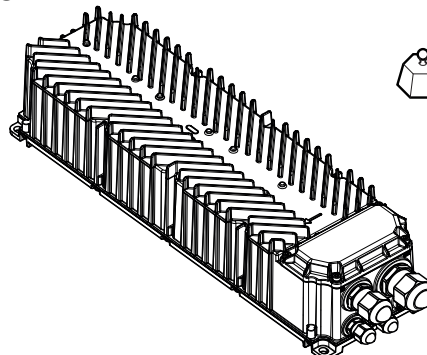


CLASS I   



1

ALG5 GB 2 CH

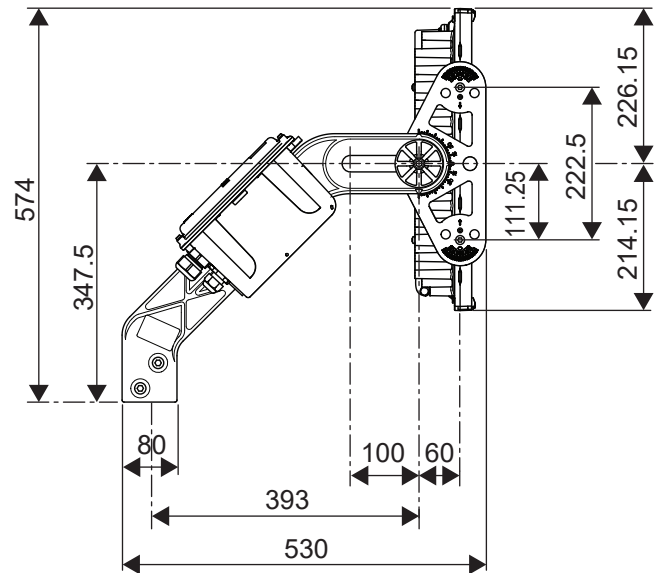
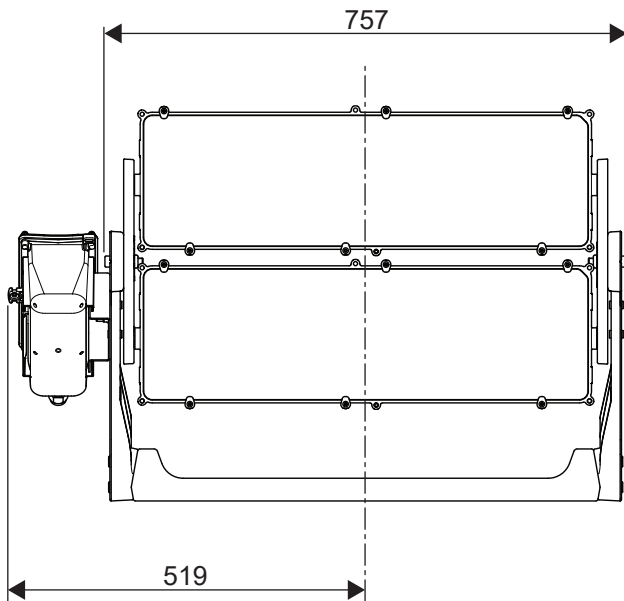


 = 5.4 kg / 6.1 kg

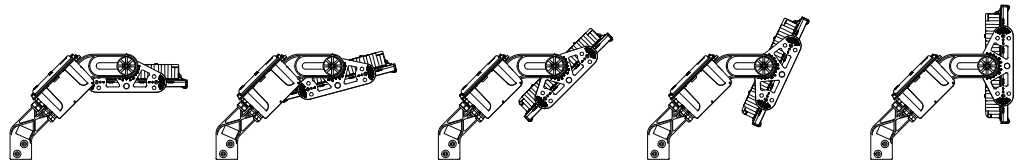
Ta_{MIN} = -40°C / Ta_{MAX} = +55°C
(up to 55°C with driving current derating)
IP66 / IK08

ALG5 288L

336 L

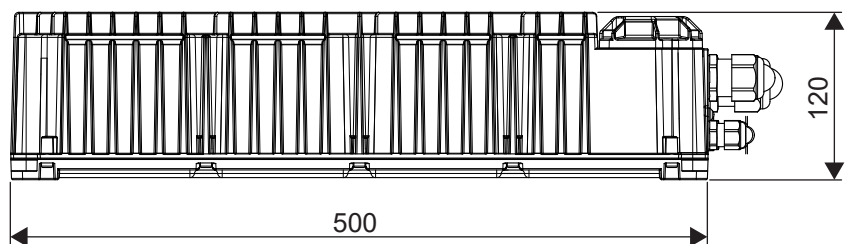
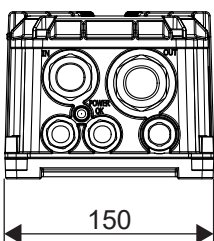


		$S_C X 0^\circ *$	$S_C X 15^\circ *$	$S_C X 45^\circ *$	$S_C X 65^\circ *$	$S_C X 90^\circ *$
ALG5	2 BRICKS	0.152	0.181	0.294	0.347	0.366

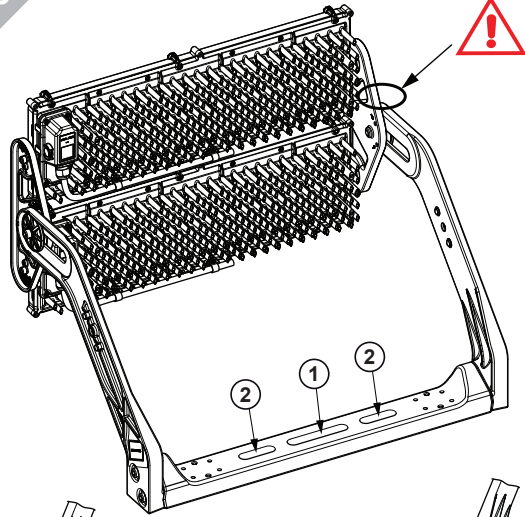


* These data refer to the worst case at indicated angle

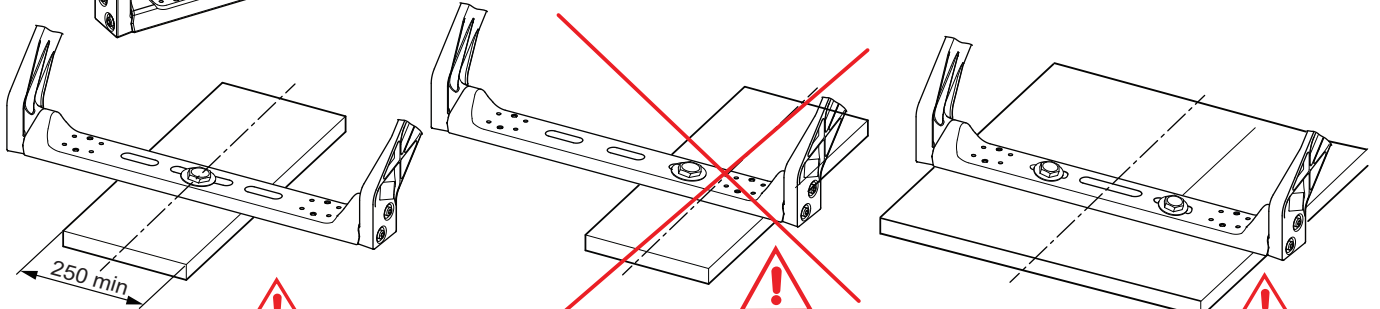
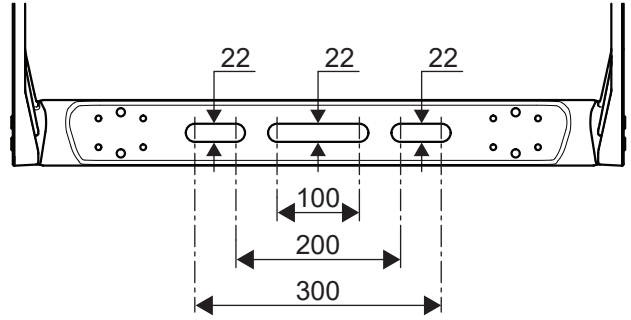
ALG5 GB 2CH



3



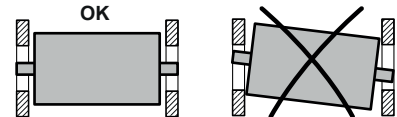
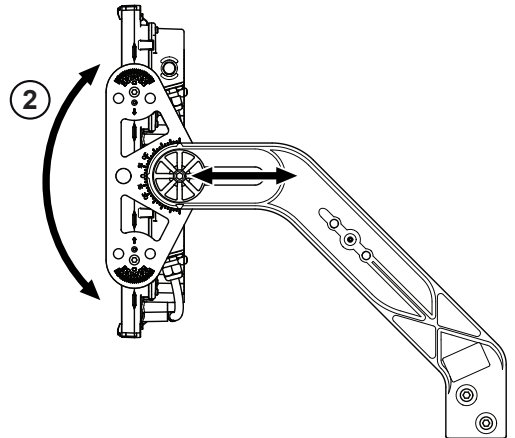
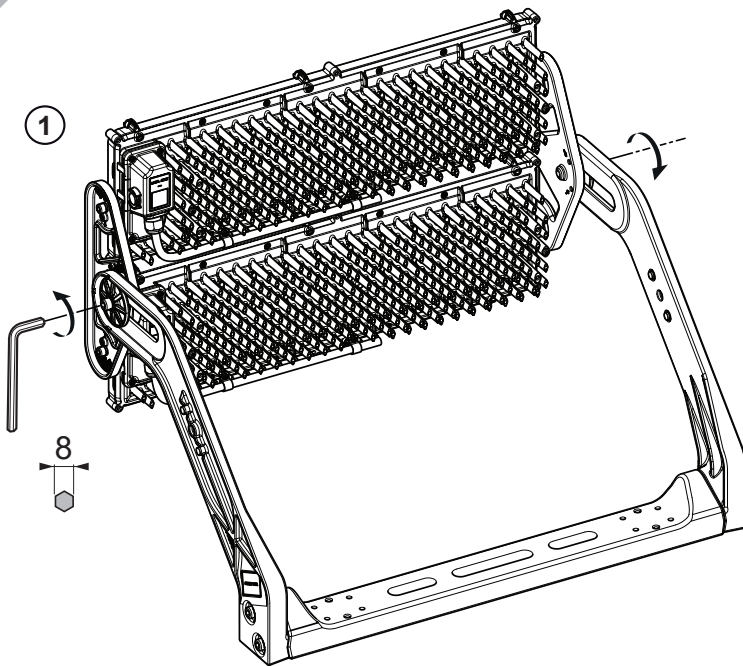
For installation higher >3m
Secure product with retaining cable
attached to the frame (not included in the delivery).
Please refer to local installation norms/regulations.



① 1xM20 with extra large washer (not provided)

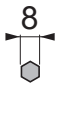
② 2xM20 with extra large washer (not provided)

4



③

25 Nm



④

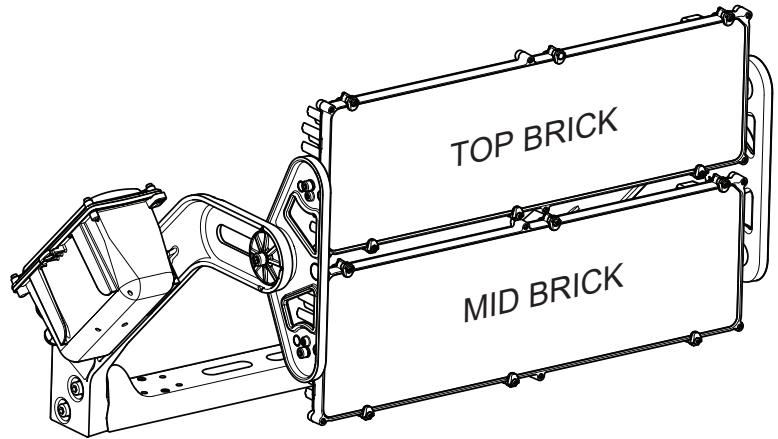
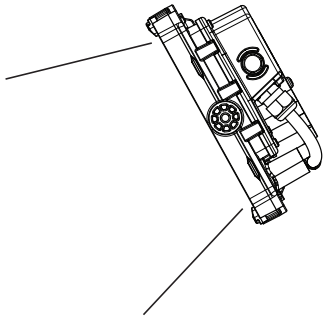
3.5 Nm



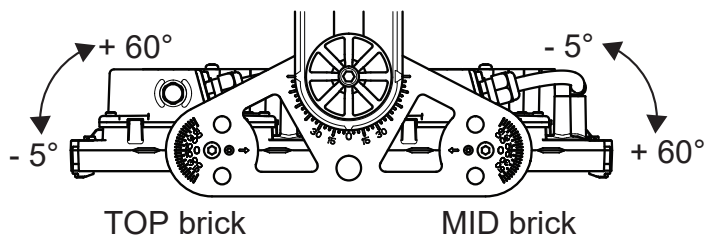
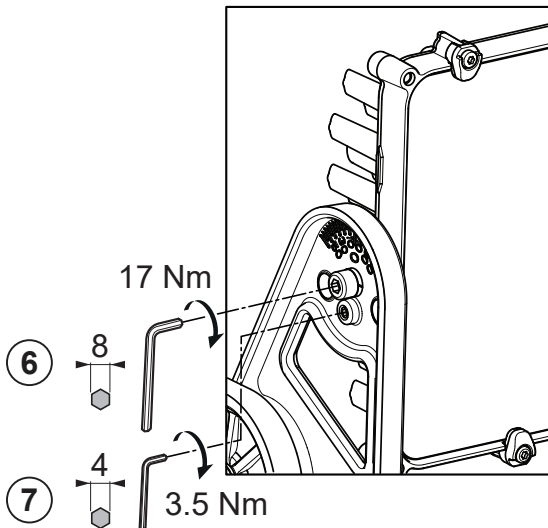
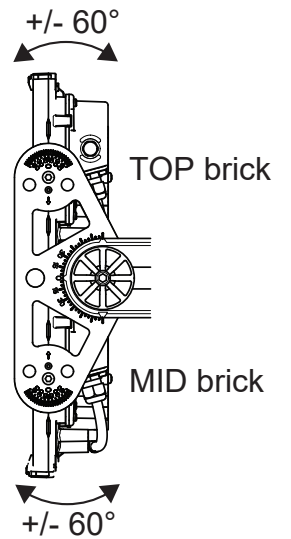
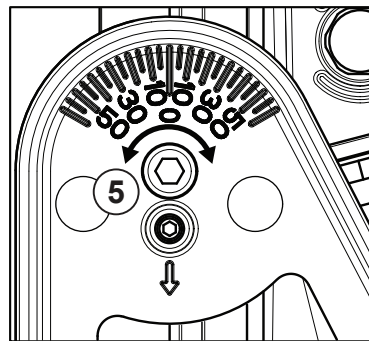
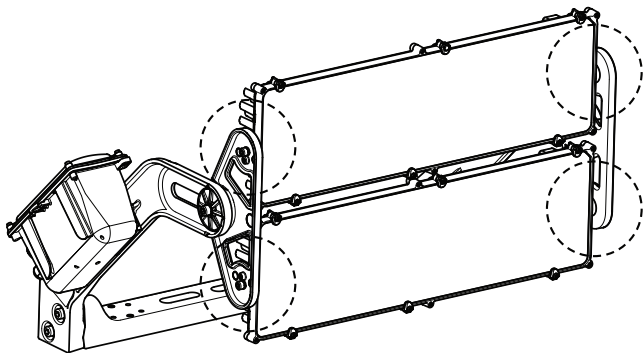
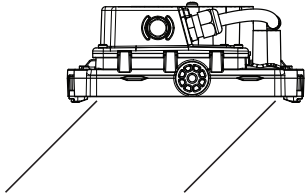
ALG5 288L140 - 740 PST NB MB ANT ALG5 336L120

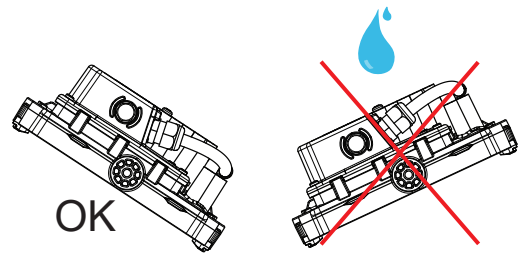
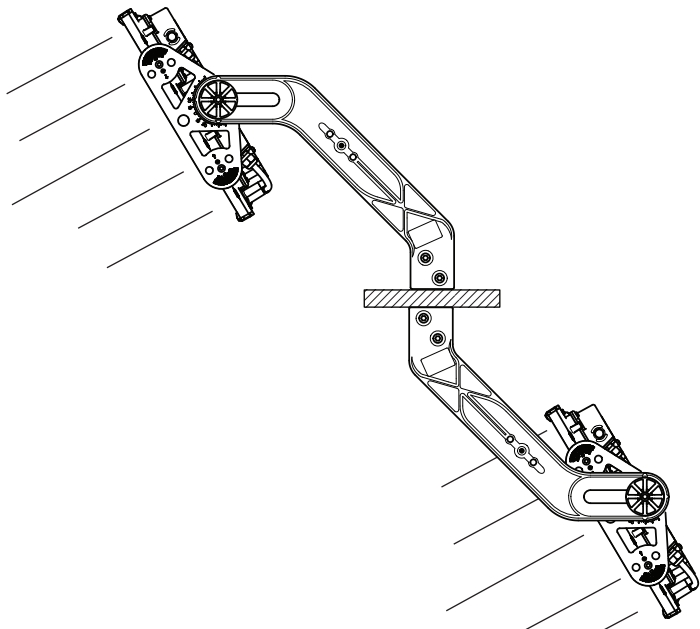
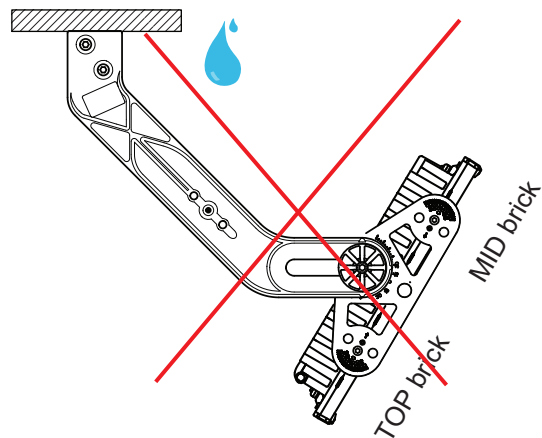
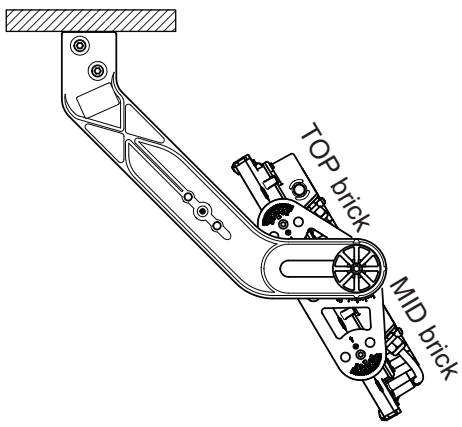
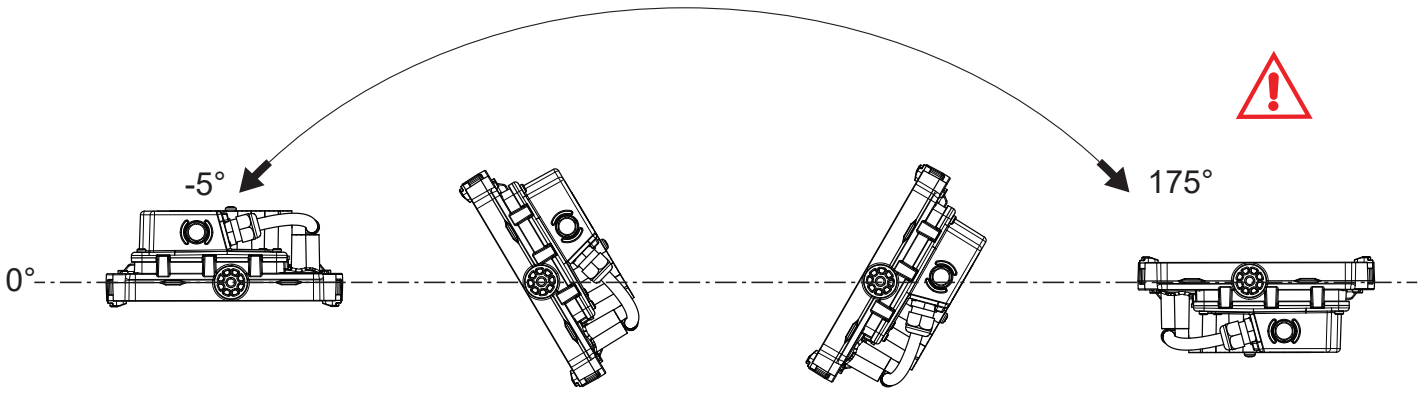
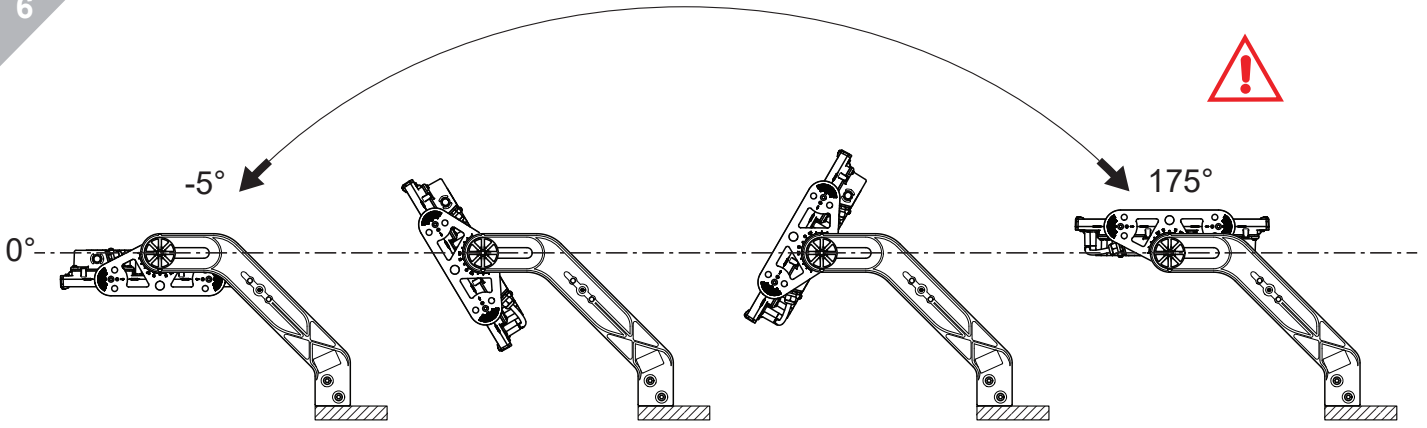
TOP BRICK MID BRICK

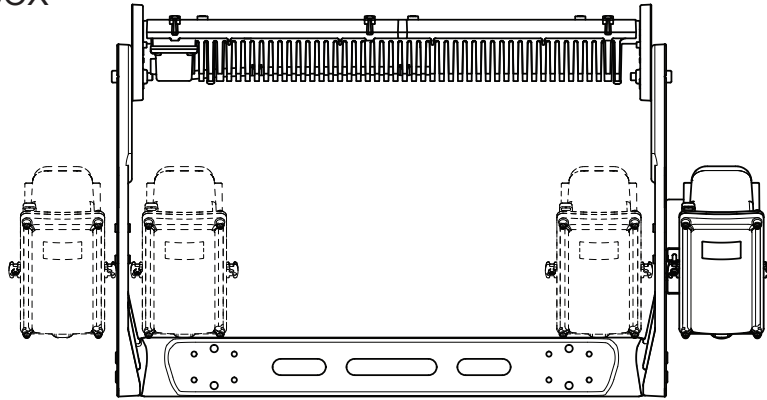
Symmetrical / Elliptical beam
(NB, MB, WB, EB)



Asymmetrical beam
(A4, A5, A6, AI5, AI6, EW2)

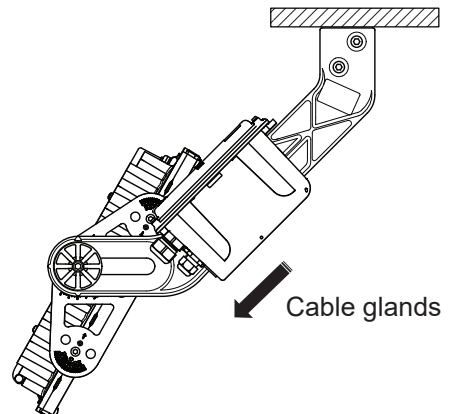
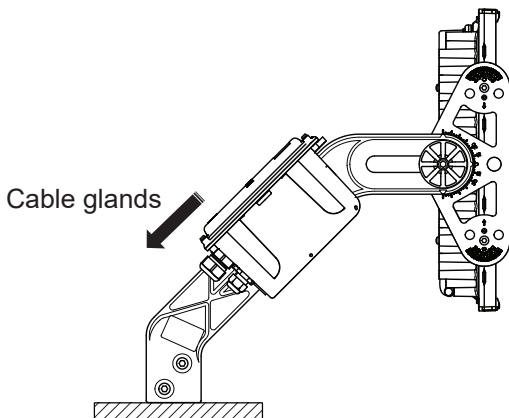
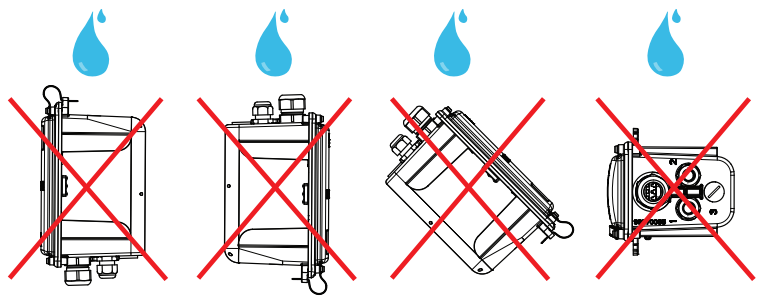
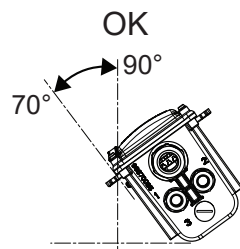
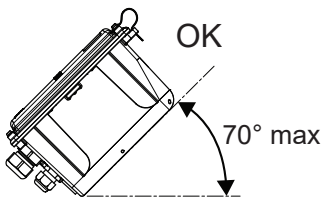
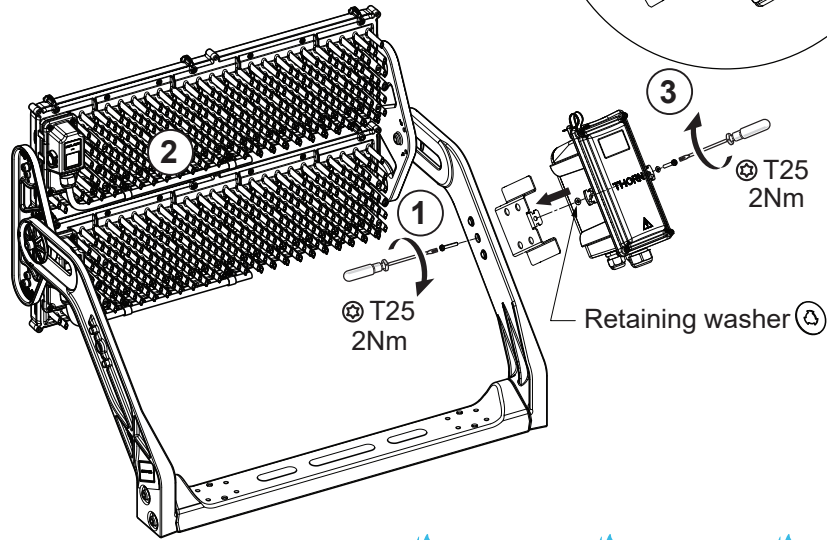
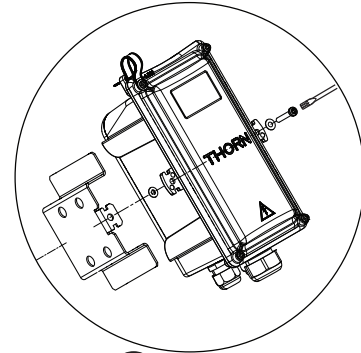
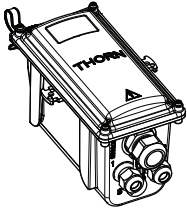


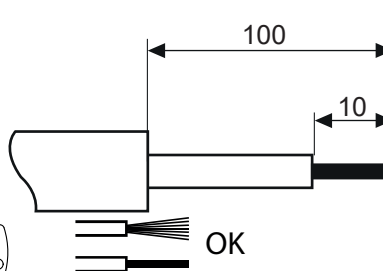
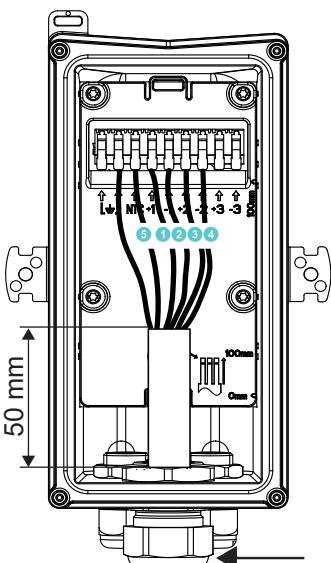
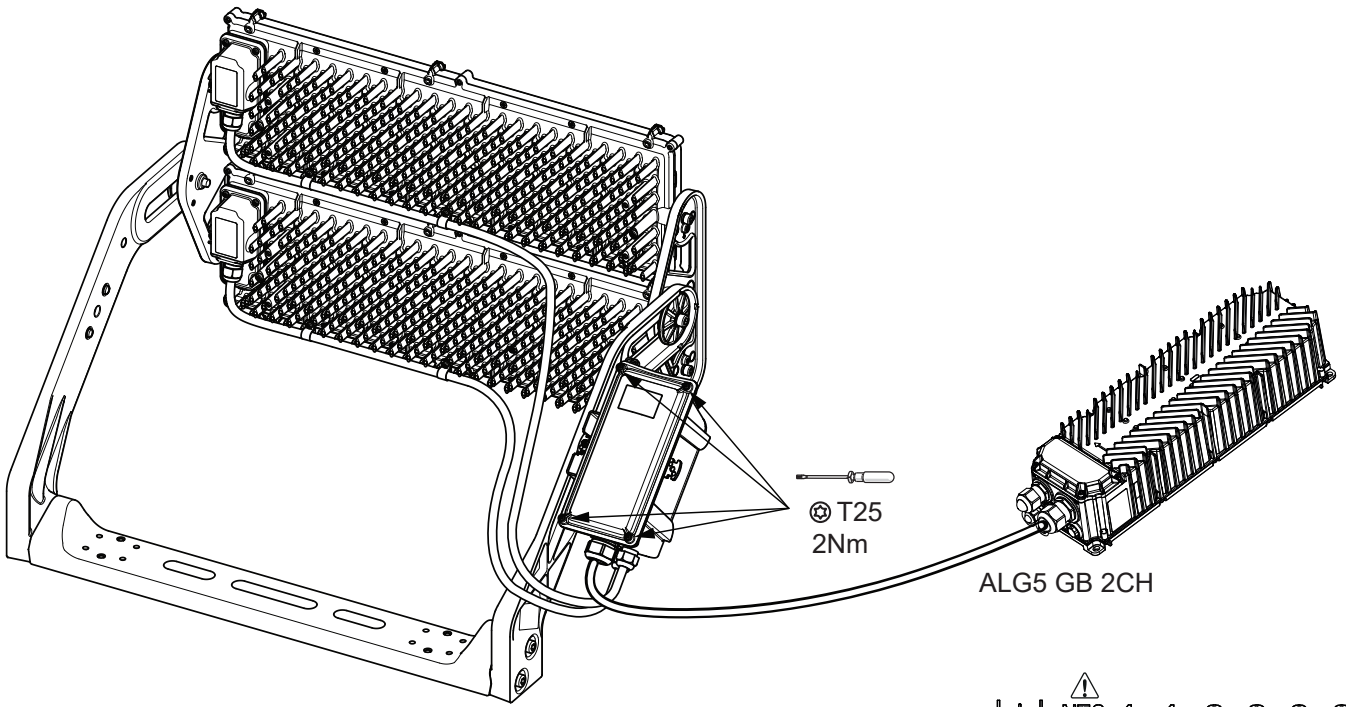




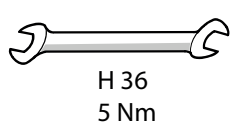
 Choose the right position for the connection box

Version G4/G5



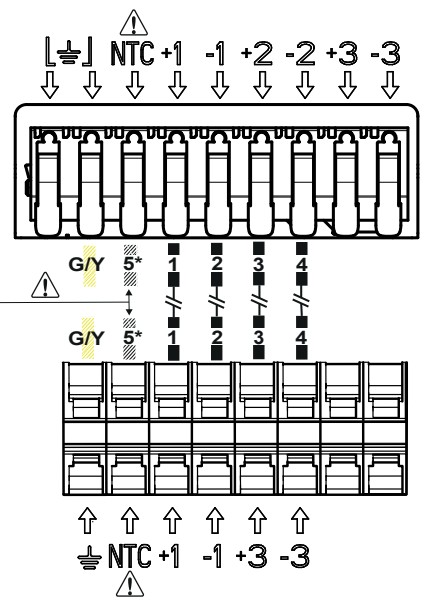


Ø min = 1,0 mm²
 Ø typ = 1,5 mm²
 Ø max = 2,5 mm²



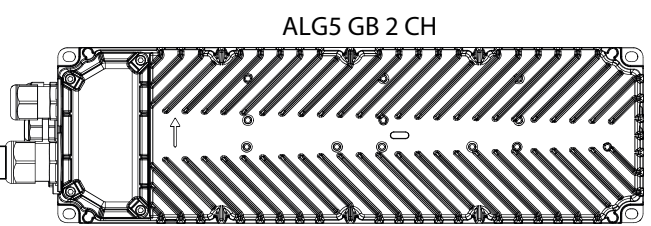
CABLE GLAND		
TYPE	ØMin	ØMax
M32	13 mm	21 mm

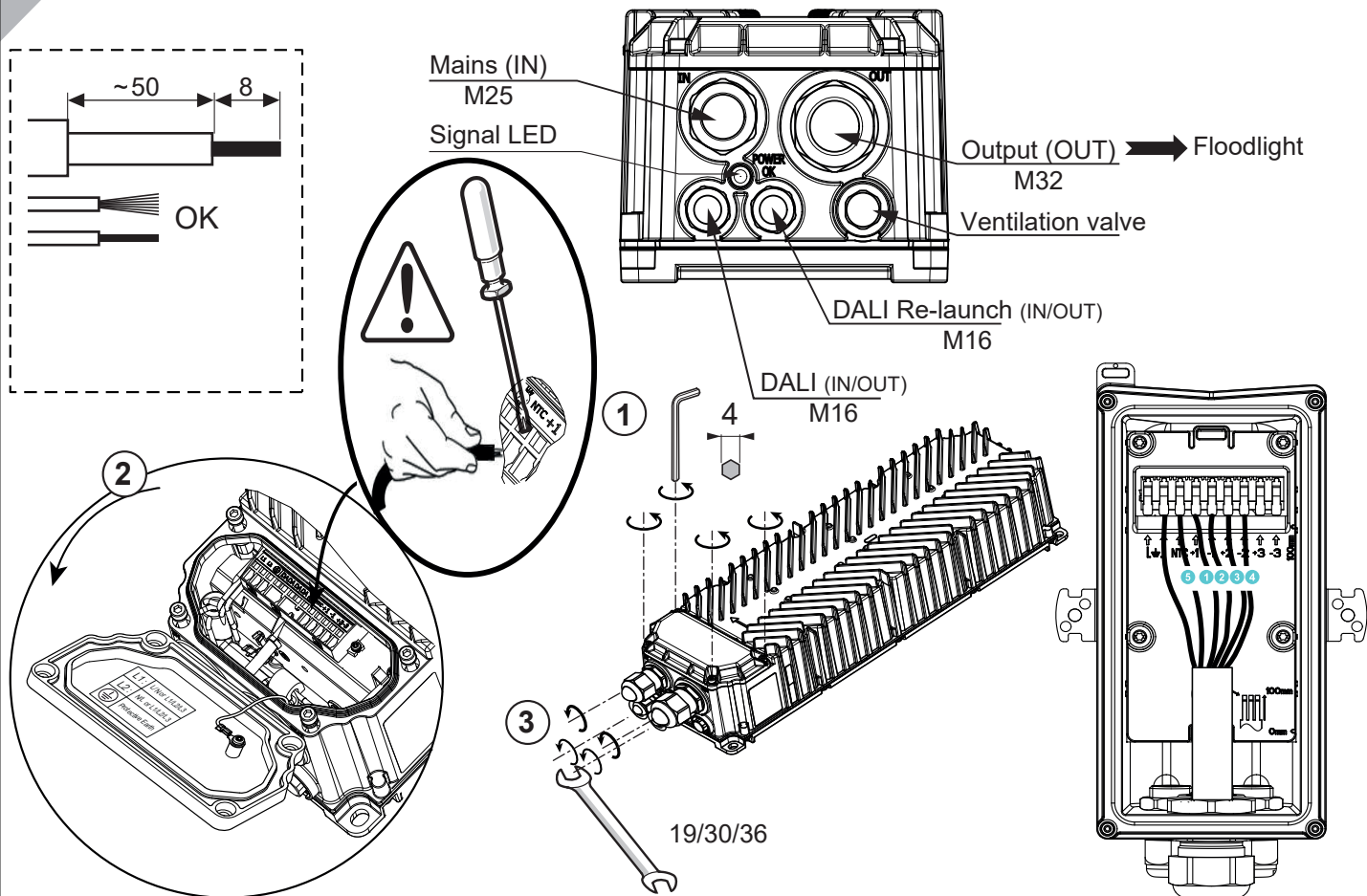
Extreme caution :
 Do not connect any LED CONNECTION wire (high voltage) inside NTC connector !! It could result in a critical failure and damage irreversibly the ALTIS luminaire



PINOUT		
Number	Label	Description
1	+1	LED1+Connection (TOP Brick)
2	-1	LED1-Connection (TOP Brick)
3	+2	LED2+Connection (MID Brick)
4	-2	LED2-Connection (MID Brick)
	+3	NO CONNECT
	-3	NO CONNECT
5	NTC	Thermal Measure INPUT
	GND	PROTECTIVE EARTH
	GND	PROTECTIVE EARTH

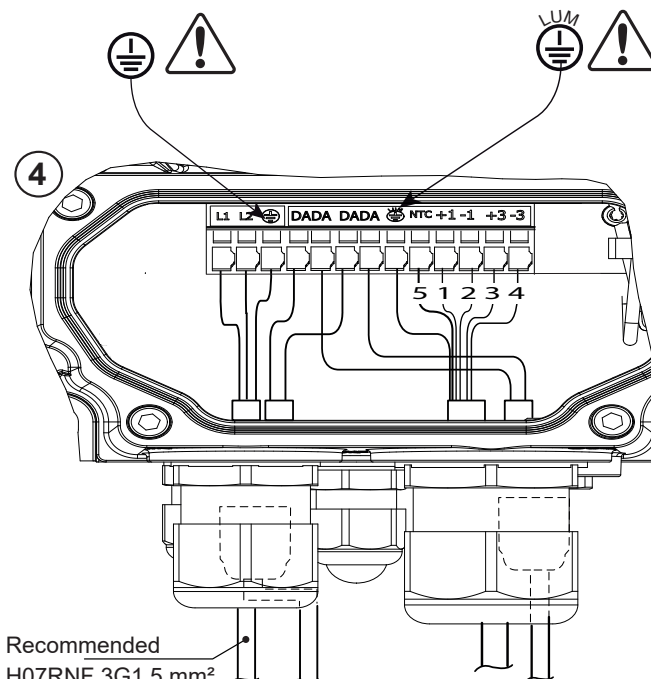
Lenght max = 200 m





Extreme caution : Do not connect any LED CONNECTION wire (high voltage) inside NTC connector !! It could result in a critical failure and damage irreversibly the ALTIS luminaire

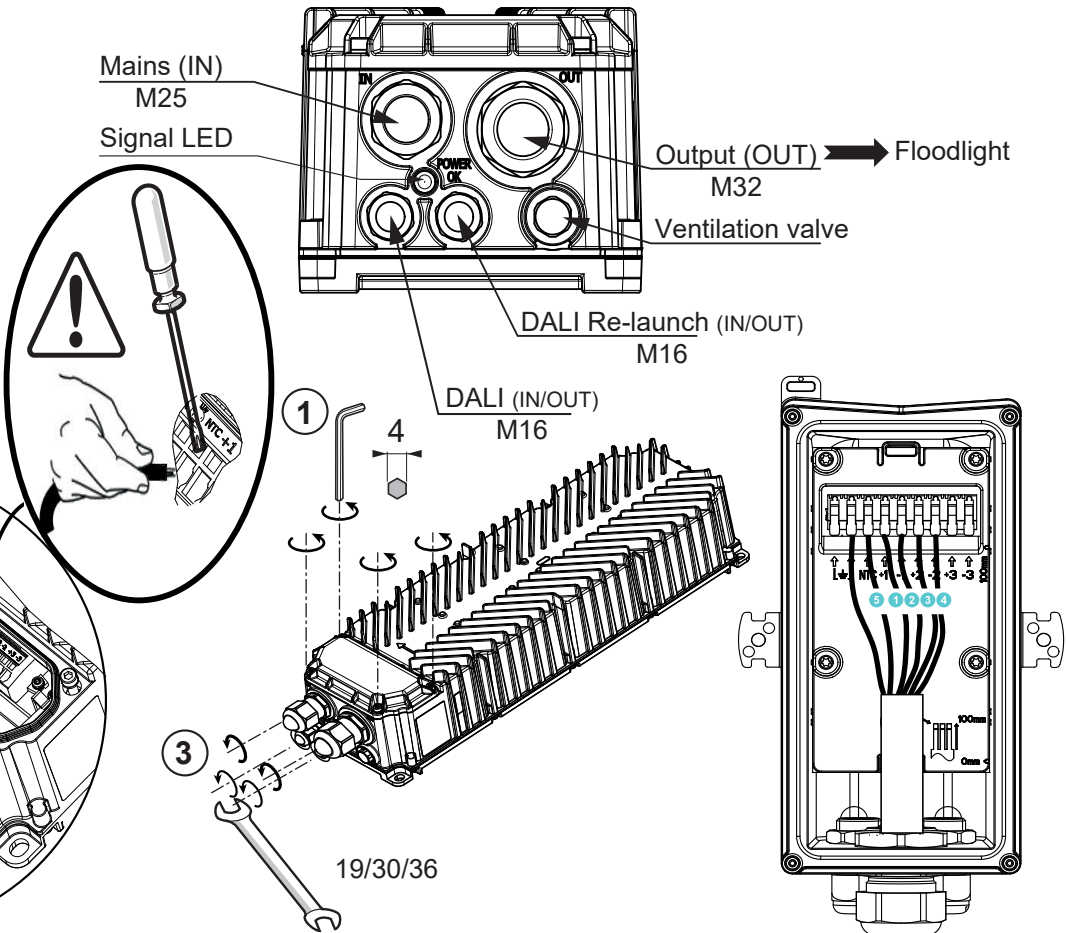
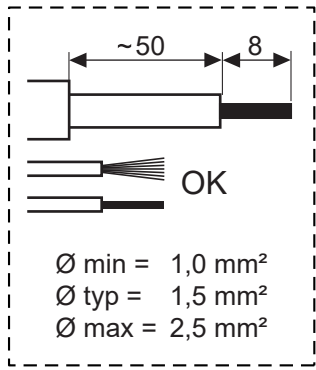
PINOUT		
Number	Label	Description
	L1	AC LINE 1 INPUT
	L2	AC LINE 2 INPUT
	⊕	PROTECTIVE EARTH
	DA+	DALI INPUT
	DA+	DALI RE-LAUNCH
	DA-	DALI INPUT
	DA-	DALI RE-LAUNCH
	⊕	PROTECTIVE EARTH FOR LUMINAIRE
5	NTC	THERMAL MEASURE INPUT
1	+1	LED1+CONNECTION (TOP Brick)
2	-1	LED1-CONNECTION (TOP Brick)
3	+3	LED3+CONNECTION (MID Brick)
4	-3	LED3-CONNECTION (MID Brick)



SIGNALLING LED INDICATIONS ON THE GEAR BOX			
PERIOD	PULSES	FAULT DESCRIPTION	PRIORITY
The encoded faults are based on pulses emitted every 4 seconds	1	One or more active outputs is not working	Maximum ↑ Minimum
	5	Undervoltage on one or more active outputs	
	2	short circuit on one or more active outputs	
	3	One or more active outputs disconnection from load	
	4	Overload on one or more active outputs	

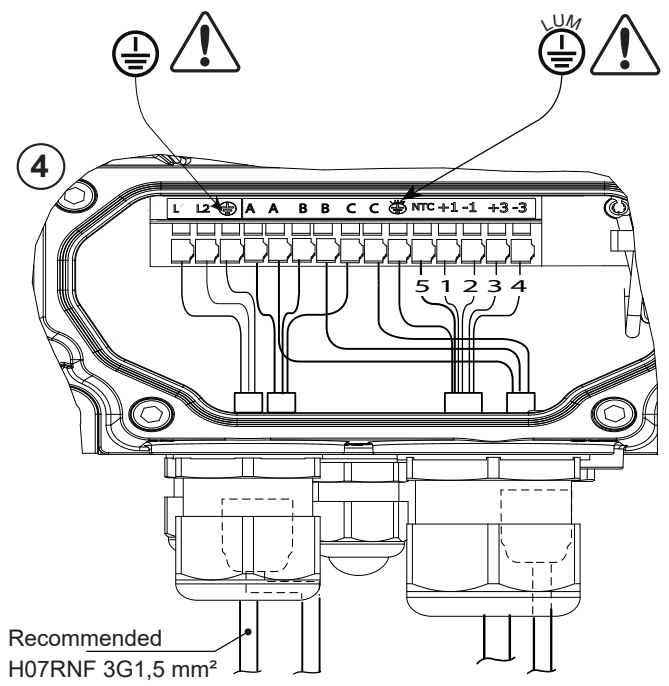
CABLE GLAND		
TYPE	ØMin	ØMax
M16	5 mm	10 mm
M25	10 mm	17 mm
M32	13 mm	21 mm

SEAL REDUCER for GB and FLOOD		
TYPE	ØMin	ØMax
M32	10 mm	16 mm



Extreme caution : Do not connect any LED CONNECTION wire (high voltage) inside NTC connector !! It could result in a critical failure and damage irreversibly the ALTIS luminaire

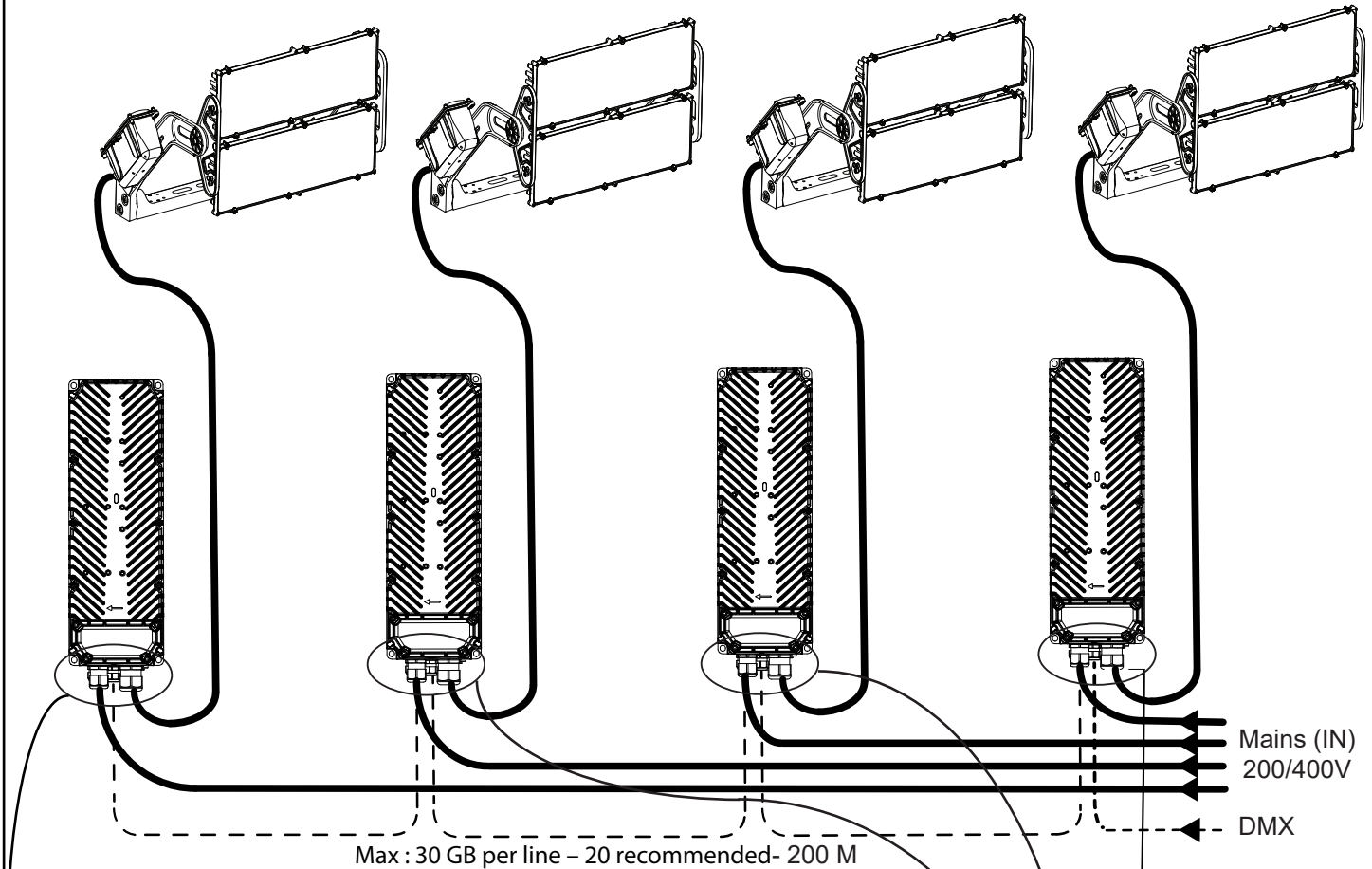
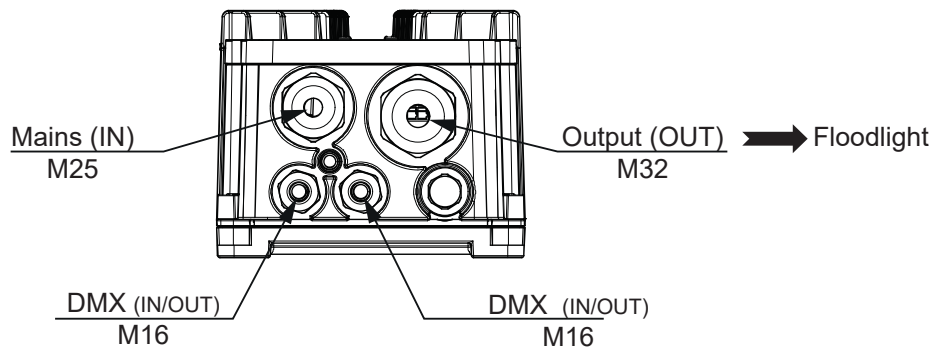
PINOUT		
Number	Label	Description
	L1	AC LINE 1 INPUT
	L2	AC LINE 2 INPUT
	⊕	PROTECTIVE EARTH
	A	DMX INPUT DATA+
	A	DMX-RE-LAUNCH DATA+
	B	DMX INPUT DATA-
	B	DMX-RE-LAUNCH DATA-
	S	DMX COMMON / SHIELD
	S	DMX COMMON / SHIELD
	⊕	PROTECTIVE EARTH FOR LED MODULE
5	NTC	THERMAL MEASURE INPUT
1	+1	LED1+CONNECTION (TOP Brick)
2	-1	LED1-CONNECTION (TOP Brick)
3	+3	LED3+CONNECTION (MID Brick)
4	-3	LED3-CONNECTION (MID Brick)



SIGNALLING LED INDICATIONS ON THE GEAR BOX			
PERIOD	PULSES	FAULT DESCRIPTION	PRIORITY
The encoded faults are based on pulses emitted every 4 seconds	1	One or more active outputs is not working	Maximum ↑ Minimum
	5	Undervoltage on one or more active outputs	
	2	short circuit on one or more active outputs	
	3	One or more active outputs disconnection from load	
	4	Overload on one or more active outputs	

CABLE GLAND		
TYPE	ØMin	ØMax
M16	5 mm	10 mm
M25	10 mm	17 mm
M32	13 mm	21 mm

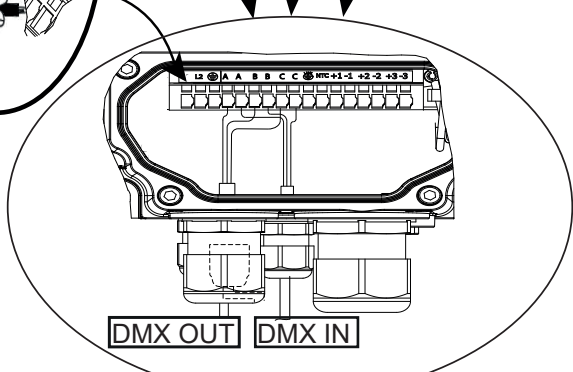
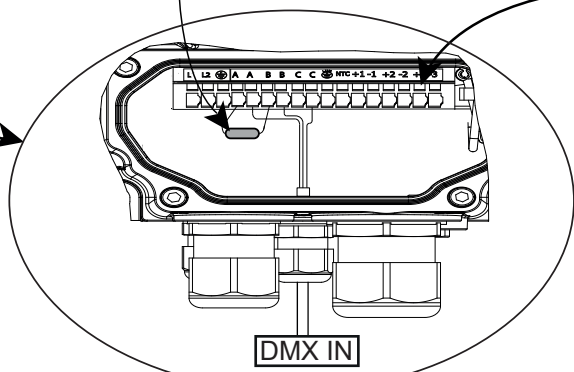
SEAL REDUCER for GB and FLOOD		
TYPE	ØMin	ØMax
M32	10 mm	16 mm

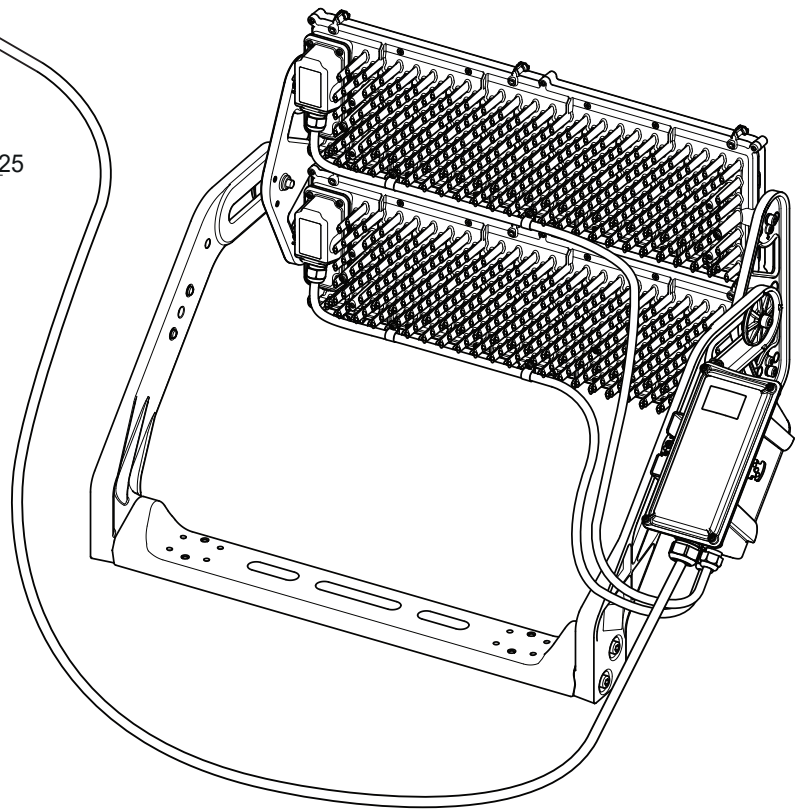
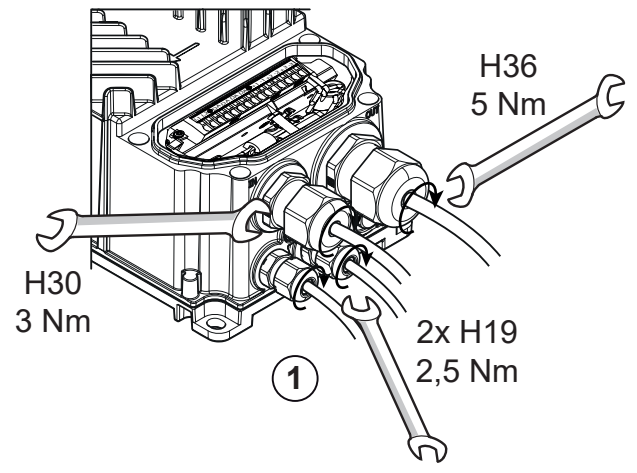
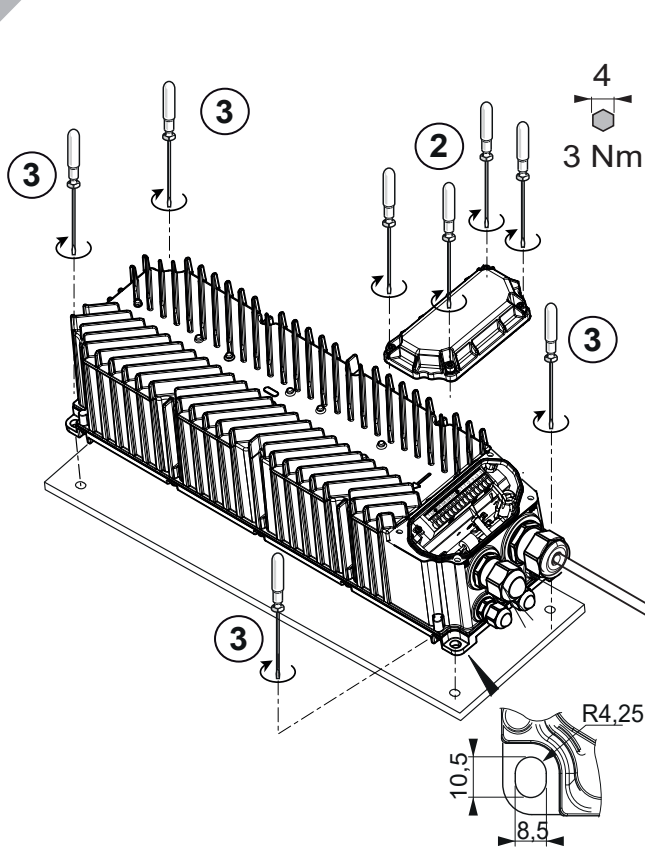


« DMX-RDM wiring shall respect ANSI E1.11 and AINSI E1.20 installation rules».

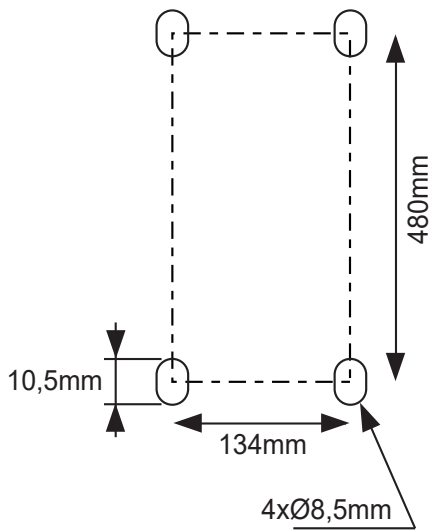
1 to 3 DMX addresses per GB – changeable via RDM

Last device on the line shall be properly terminated with a 120R 0.5W 5% resistance (96683550)

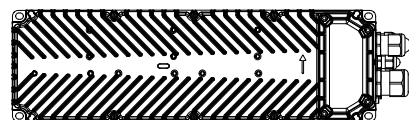
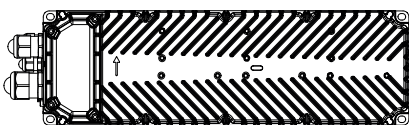




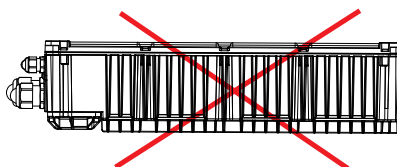
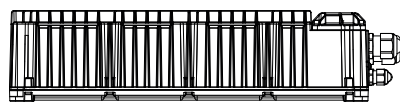
Drilling recommendation:



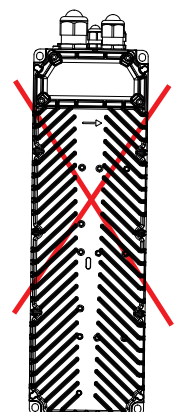
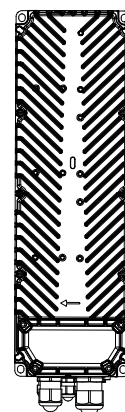
HORIZONTAL



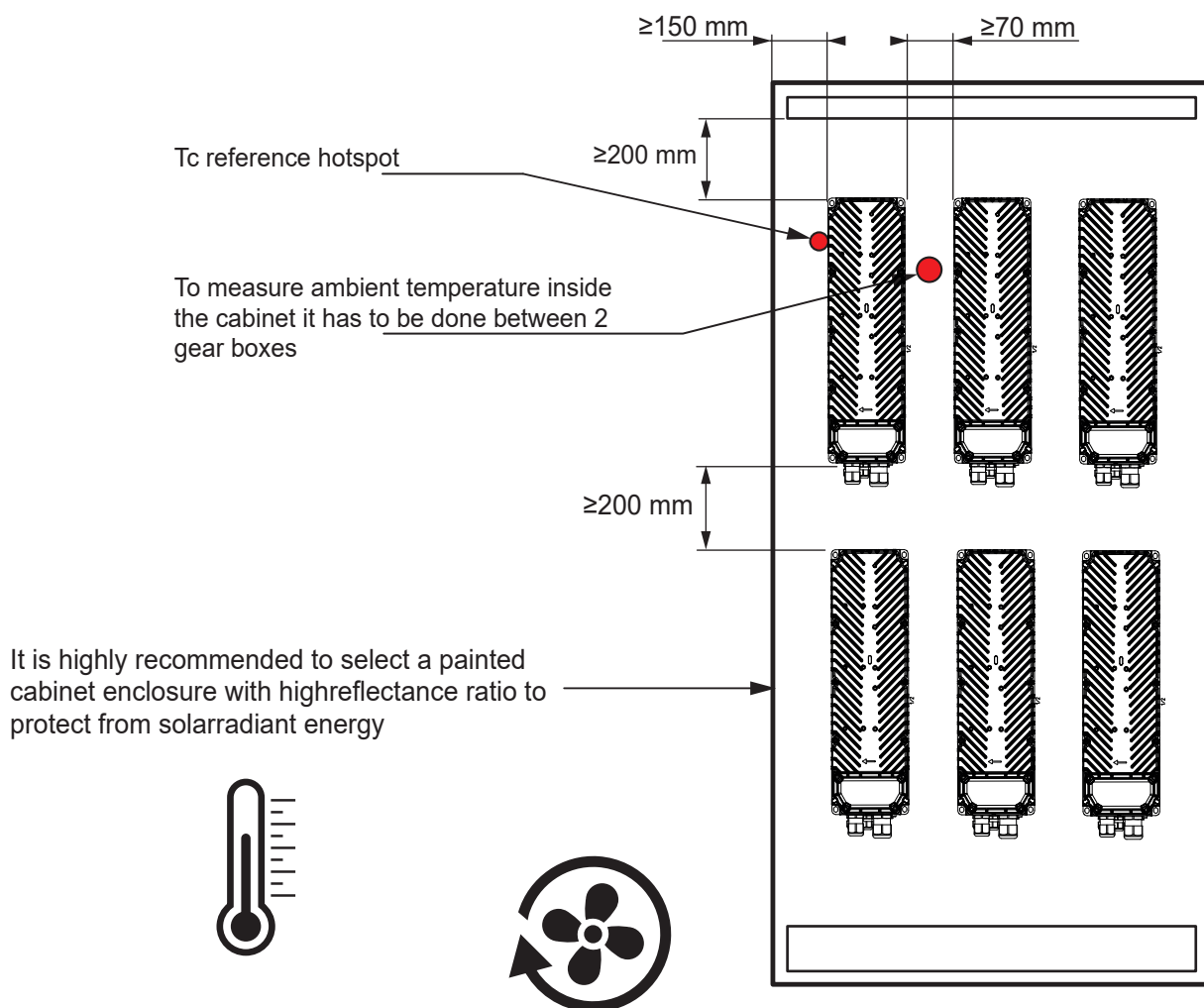
LATERAL / SIDE



VERTICAL



GUIDELINE FOR INTEGRATION OF GEAR BOX



If you cannot follow instructions included in previous section regarding gear box integration, you have to measure Tc reference point taking into consideration that measures must be down to Tc_max

Tc Reference at Max Ambient				
Position	Horizontal	Vertical	Side	
Mounting				
	230Vac	81°C	80°C	82°C (Ref.)
	400Vac	69°C	68°C	70°C (Ref.)
Ambient Max	55°C	55°C	55°C (Ref.)	

Aiming Device

96671487	ALTIS G4/G5 AIMING DEVICE WITH VISOR
96671488	ALTIS G4/G5 AIMING DEVICE BRACKET

ALTIS LED AIMING DEVICE THORN

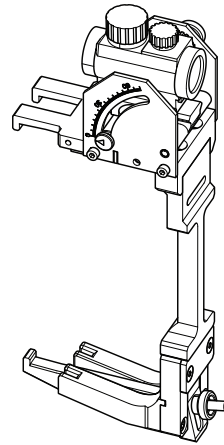
UK Installation instructions FI Asennusohje LV Instalācijas instrukcija
 DE Montageanleitung FR Notice de montage NO Monteringsanvisning
 CZ Montážní návod HU Szerelési útmutató PL Instrukcja montażu
 DK Monteringsvejledning IT Istruzioni di montaggio SE Installationsanvisning
 EE Paigaldusjuhend LT Montavimo instrukcija RU ИНСТРУКЦИЯ ПО МОНТАЖУ

ALTIS LED AIMING DEVICE

⚠ Don't forget to switch off the aiming device between each setup.

- 2x Aiming device
- 2x Strap
- 2x Clearing cloth
- 2x Lens caps
- 4x CR1620 battery
- 2x Allen wrench
- 2x Instruction leaflet

⚠ Aiming device should be attached with strap supplied in doing nose knot.



Louvers / Bird Deterrent

ALTIS LED THORN

UK Installation instructions FI Asennusohje LV Instalācijas instrukcija
 DE Montageanleitung FR Notice de montage NO Monteringsanvisning
 CZ Montážní návod HU Szerelési útmutató PL Instrukcja montażu
 DK Monteringsvejledning IT Istruzioni di montaggio SE Installationsanvisning
 EE Paigaldusjuhend LT Montavimo instrukcija RU ИНСТРУКЦИЯ ПО МОНТАЖУ

TYPE: ALTIS LED G4/G5 ACCESSORIES

Louvre A4/A5/A6/A6I

Louvre NB/EB/MB/WB

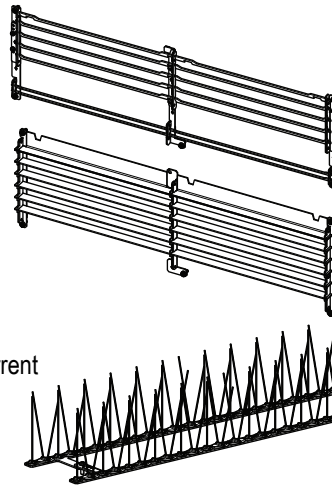
Bird Deterrent

Louvre A4/A5/A6/A6I

Louvre NB/EB/MB/WB



Bird Deterrent



96671492	ALTIS G4/G5 1 BRICK LOUVRE A4
96671493	ALTIS G4/G5 1 BRICK LOUVRE A5
96671494	ALTIS G4/G5 1 BRICK LOUVRE A6/A6I
96671496	ALTIS G4/G5 1 BRICK LOUVRE MB
96671495	ALTIS G4/G5 1 BRICK LOUVRE NB/EB
96671497	ALTIS G4/G5 1 BRICK LOUVRE WB

96671489 ALTIS G4/G5 BIRD DETERRENT

Visor

ALTIS LED THORN

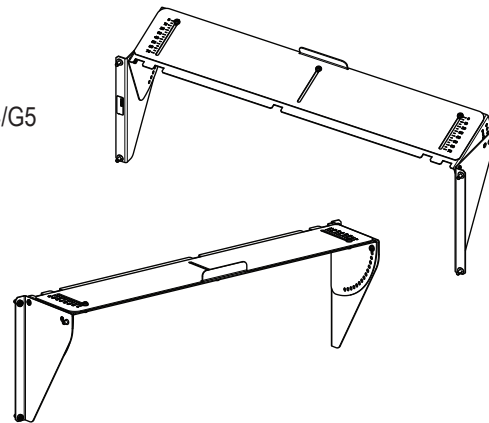
UK Installation instructions FI Asennusohje LV Instalācijas instrukcija
 DE Montageanleitung FR Notice de montage NO Monteringsanvisning
 CZ Montážní návod HU Szerelési útmutató PL Instrukcja montażu
 DK Monteringsvejledning IT Istruzioni di montaggio SE Installationsanvisning
 EE Paigaldusjuhend LT Montavimo instrukcija RU ИНСТРУКЦИЯ ПО МОНТАЖУ

TYPE: ALTIS G4/G5 ACCESSORIES

ALTIS G4/G5 VISOR

96671498 ALTIS G4/G5 1 BRICK AJ VISOR

Visor G4/G5



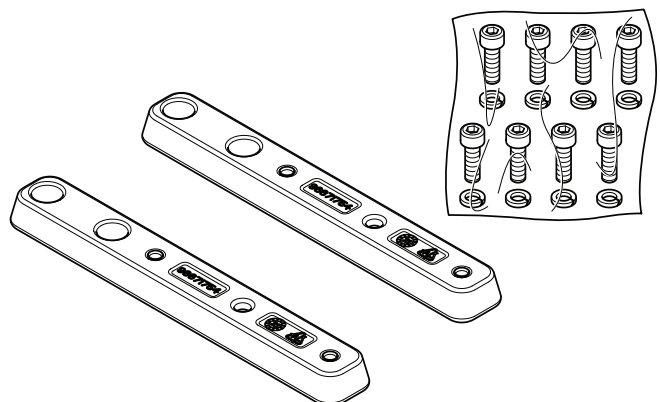
Power supply support

ALTIS LED THORN

UK Installation instructions FI Asennusohje LV Instalācijas instrukcija
 DE Montageanleitung FR Notice de montage NO Monteringsanvisning
 CZ Montážní návod HU Szerelési útmutató PL Instrukcja montażu
 DK Monteringsvejledning IT Istruzioni di montaggio SE Installationsanvisning
 EE Paigaldusjuhend LT Montavimo instrukcija RU ИНСТРУКЦИЯ ПО МОНТАЖУ

TYPE: ALTIS G4/G5 ACCESSORIES

96671490 ALTIS G4/G5 GB BRACKET 3 BRICK STIRRUP

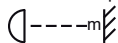


FRANCAIS

-Remplacer toute protection fissurée.
-Les luminaires classe II doivent être installés de façon à ce que la partie métallique ne soit pas en contact avec l'installation électrique connectée à la terre.

ATTENTION: Les luminaires classe I doivent être reliés à la terre.

-Ce luminaire fonctionne à une tension nominale qui doit être coupée avant toute intervention sur l'appareillage.
-Toute modification de cet appareil est interdite.
-Respecter la distance minimale par rapport aux objets éclairés définie par ce sigle.



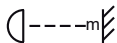
SVERIGE

-Ersätta alla spräckta skyddsplåtar.
-Klass II armaturer måste installeras så att nakna metalldelar i armaturen inte är i kontakt med någon elektrisk installation, kopplad till en skyddledare.

VARNING: Klass I armaturer måste vara jordade.

-Denna armatur fungerar med högspänning som måste vara fränslagen före ingripande i driftdonen.

-Alla ändringar i denna armatur är förbjuden.



ITALIANO

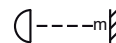
-Sostituire sempre tutte le protezioni danneggiate.

-Gli apparecchi in classe II devono essere installati in modo che le parti metalliche non siano in contatto con apparati elettrici collegati a terra.

ATTENZIONE: Gli apparecchi in class I devono essere collegati a terra.

-Questo apparecchio funziona a tensione nominale, questa deve essere interrotta prima di ogni intervento sul gruppo di alimentazione.

-Ogni modifica dell' apparecchio è proibita.

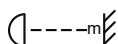


ENGLISH

-Replace any cracked protective shield.
-Class II luminaires must be installed so that exposed metal work of the luminaire is not in contact with any part of the electrical installation connected to a protective conductor.

WARNING: Class I luminaires must be earthed.

-This luminaire operates at mains voltage which must be switched off before intervention in control gear.
-Any modification to this luminaire is forbidden.
-Lighted objects nearer than the minimal distance in the is forbidden.

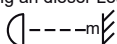


DEUTSCH

-Ersetze jede gebrochene Schutzscheibe.
-Schutzklasse II Leuchten müssen so installiert werden, daß berührbare Metallteile nicht mit einem, an dem Schutzleiter angeschlossenen Teil der elektrischen Installation in Kontakt kommen können.

ACHTUNG: Schutzklasse I Leuchten müssen geerdet sein.

-Diese Leuchte wird mit Netzspannung betrieben. Bevor Eingriffe am Vorschaltgerät vorgenommen werden sowie vor Wartung und Installation, ist die Versorgungsspannung abzuschalten.
-Jede Änderung an dieser Leuchte ist verboten.



SUOMI

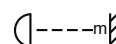
-Rikkoontunut suojalasi vaihdettava välittömästi uuteen vastaavaan.

-Asennettaessa suojausluokan II valaisinta on peruseristetyin johdon ja kosketeltavien metalliosien välinen kosketus tehokkaasti eristettävä.

VAROITUS: Suojausluokan I valaisin täytyy maadoittaa.

-Verkköjännite on kytkettävä pois ennen valaisimen huoltotoimenpiteitä.

-Valaisimen rakennetta ei saa muuttaa.



Thorn Lighting is constantly developing and improving its products. The right is reserved to change specifications without prior notification or public announcement.

© Thorn Lighting



- To ensure maintaining the best system performances, we advice to switch on the system "At least one night hour per month".

- corrosion environment from C1 to C5 according to standard ISO9223
except gear Box ALG4 GB LE corrosion environment from C1 to C3